

SLIP RING UNITS C3042 SERIES

ZOOM

MODULAR
ELECTRICAL SLIP RING UNITS
FOR WATER TREATMENT
PLANTS



C3042 04 to C3042 16

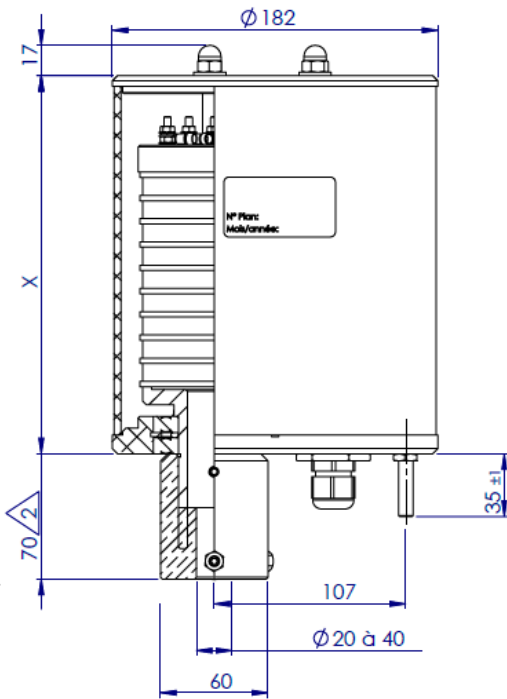
- Vertically-mounted
- Corrosion-resistant polymer brush-holders
- Aluminium flange
- PMMA transparent cover
- Fitted with bronze rings \varnothing 80 mm
- Mounted with two sealed bearings
- Hub fastening, diameter 20 to 40 mm (stainless steel)
- Connections:
 - on slip ring assemblies -> M4 bolt + nut
 - on brush-holders -> 6.35 ring tongue male terminals (fast on)
- Fitted with:
 - ISO 32 reducers and ISO 20 cable gland (models up to 12 tracks)
 - or ISO 32 cable gland (for more than 12 tracks)

**SOLID AND RELIABLE
SIGNAL AND POWER
TRANSMISSION**

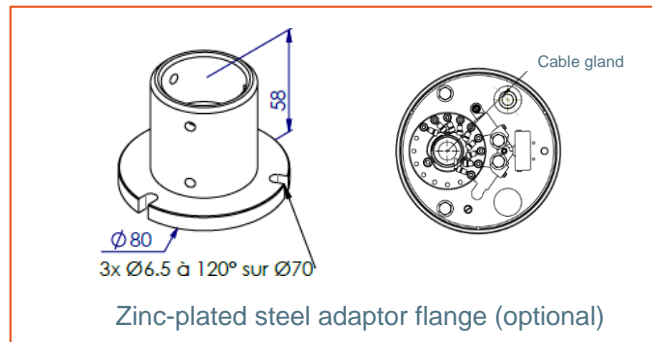
**CUSTOMIZED SOLUTIONS FOR
YOUR SPECIFIC REQUIREMENTS**

MERSEN PROPERTY

TECHNICAL INFORMATION



Number of tracks:	16 max
Ampacity:	25 A
Rated voltage:	400 V AC
Insulation voltage:	2500 V
Insulation class:	Class 1
Protection rating:	IP54
Operating temperature:	-25/+60°C
Relative humidity:	up to 95 %
Max rotation speed:	100 rpm



Model	Number of rings	Height X (in mm)	Brush-holders with brushes		Carbon brushes		Cable gland
			Quantity	P/N	Quantity (pairs)	P/N	Type
C3042 04	4	172	4	AMP335006	4	82999	ISO 20
C3042 05	5	172	5	AMP335006	5	82999	ISO 20
C3042 06	6	172	6	AMP335006	6	82999	ISO 20
C3042 07	7	212	7	AMP335006	7	82999	ISO 20
C3042 08	8	212	8	AMP335006	8	82999	ISO 20
C3042 09	9	212	9	AMP335006	9	82999	ISO 20
C3042 10	10	247	10	AMP335006	10	82999	ISO 20
C3042 11	11	247	11	AMP335006	11	82999	ISO 20
C3042 12	12	247	12	AMP335006	12	82999	ISO 20
C3042 13	13	302	13	AMP335006	13	82999	ISO 32
C3042 14	14	302	14	AMP335006	14	82999	ISO 32
C3042 15	15	302	15	AMP335006	15	82999	ISO 32
C3042 16	16	302	16	AMP335006	16	82999	ISO 32

MERSEN PROPERTY

Contact: info.ptt@merсен.com